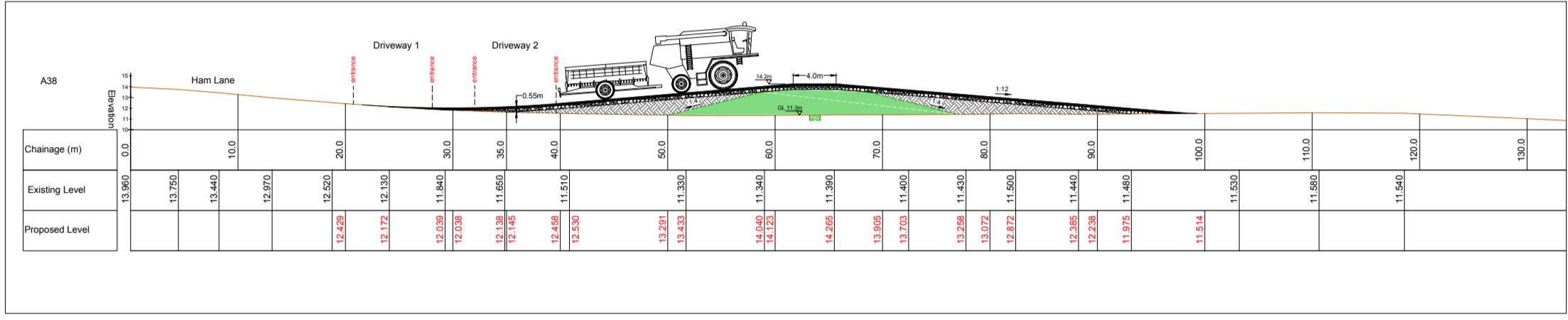




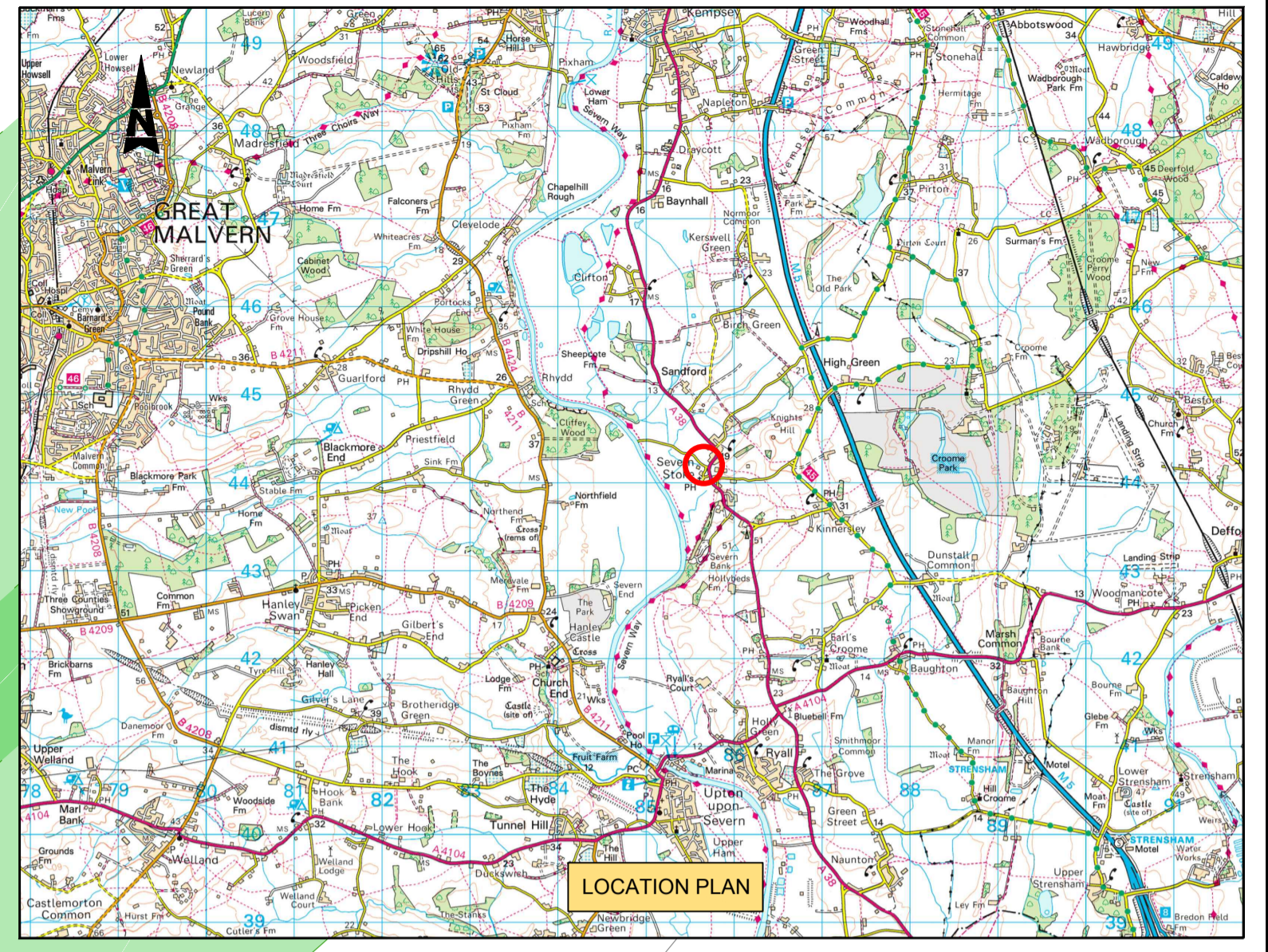
Section A-A
@ Chainage 35.0 (m)

Elevation	13	12	11	10	9	8	7	6	5	4	3	2	1	0	-1	-2	-3	-4	-5
Existing Level																			
Proposed Level																			

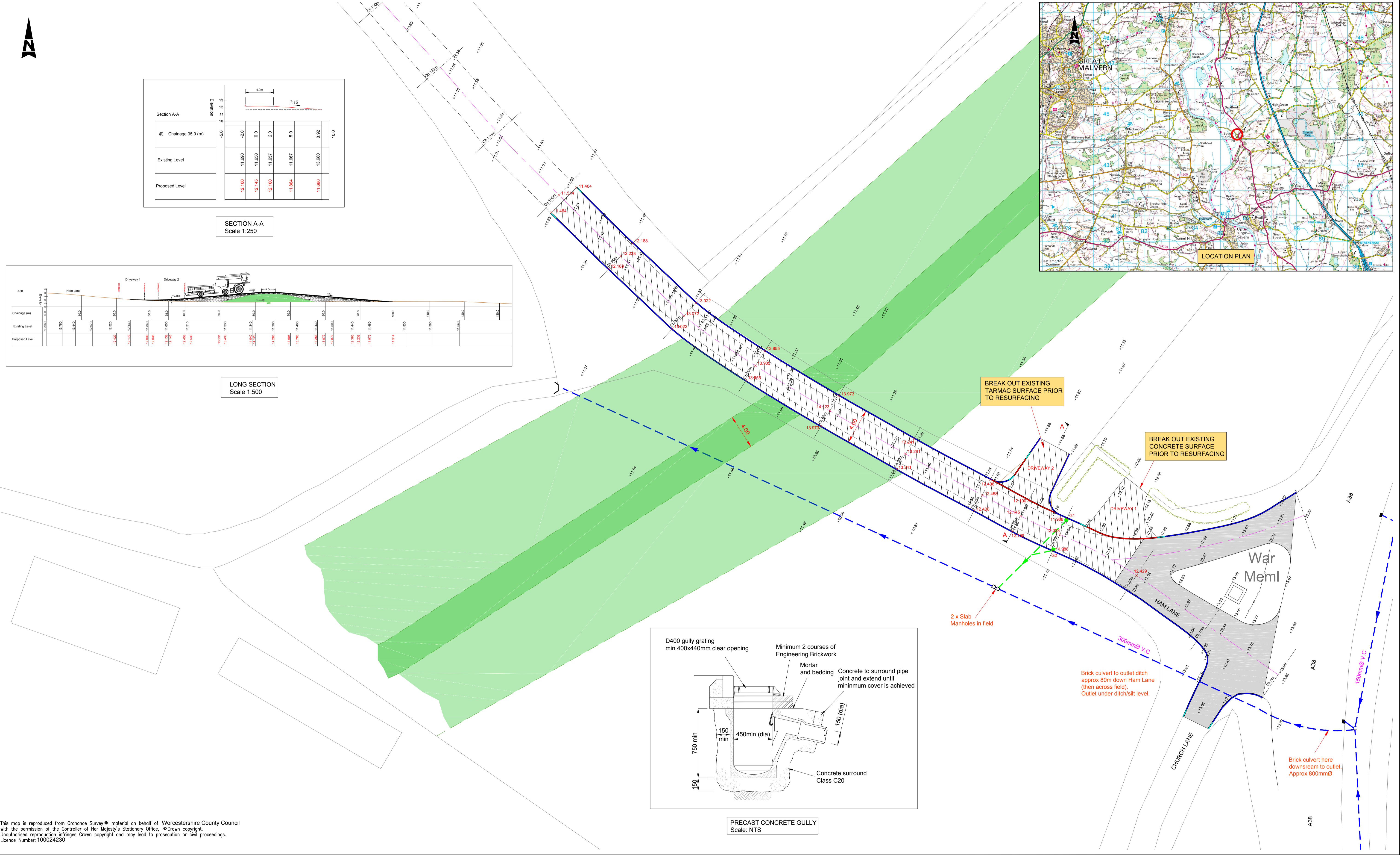
SECTION A-A
Scale 1:250



LONG SECTION
Scale 1:500

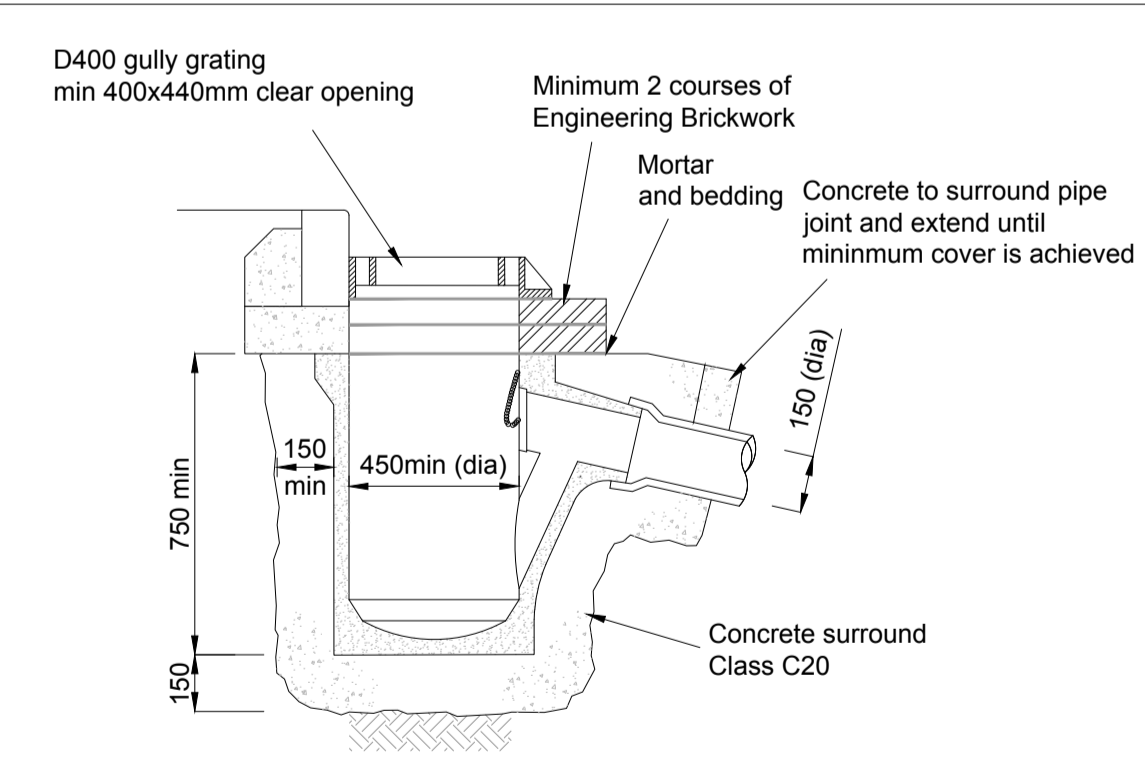


LOCATION PLAN



BREAK OUT EXISTING TARMAC SURFACE PRIOR TO RESURFACING

BREAK OUT EXISTING CONCRETE SURFACE PRIOR TO RESURFACING



PRECAST CONCRETE GULLY
Scale: NTS

2 x Slab Manholes in field

Brick culvert to outlet ditch approx 80m down Ham Lane (then across field). Outlet under ditch/silt level.

Brick culvert here downstream to outlet. Approx 800mmØ

This map is reproduced from Ordnance Survey material on behalf of Worcestershire County Council with the permission of the Controller of Her Majesty's Stationery Office, © Crown copyright. Unauthorised reproduction infringes Crown copyright and may lead to prosecution or civil proceedings. Licence Number: 100024230

Key:

	50mm plane and pave		BN - 20m		G1	2 x New gully
	AC55/10 Surface Course - 40mm AC20 Binder Course - 60mm AC32 Base - 100mm Type 1 Sub-base - 300mm		Dropper - 8 No.			New gully connection
			HB2 - 195m		×12.100	Proposed Level
					×11.51	Existing Level

Notes:

Rev	By	Chkd	Apprvd	Date	Description

PURPOSE OF ISSUE: INFORMATION

Project:
**Ham Lane
Severn Stoke Bund**

Title:
Plan and Elevation

Drawn by: GMB	Date: Jan 2020
Checked by: CNB	Date: Jan 2020
Approved by: -	Date: -
Drawing No. HL-02	Revision -
Drawing Scale: 1:200 @ A1	